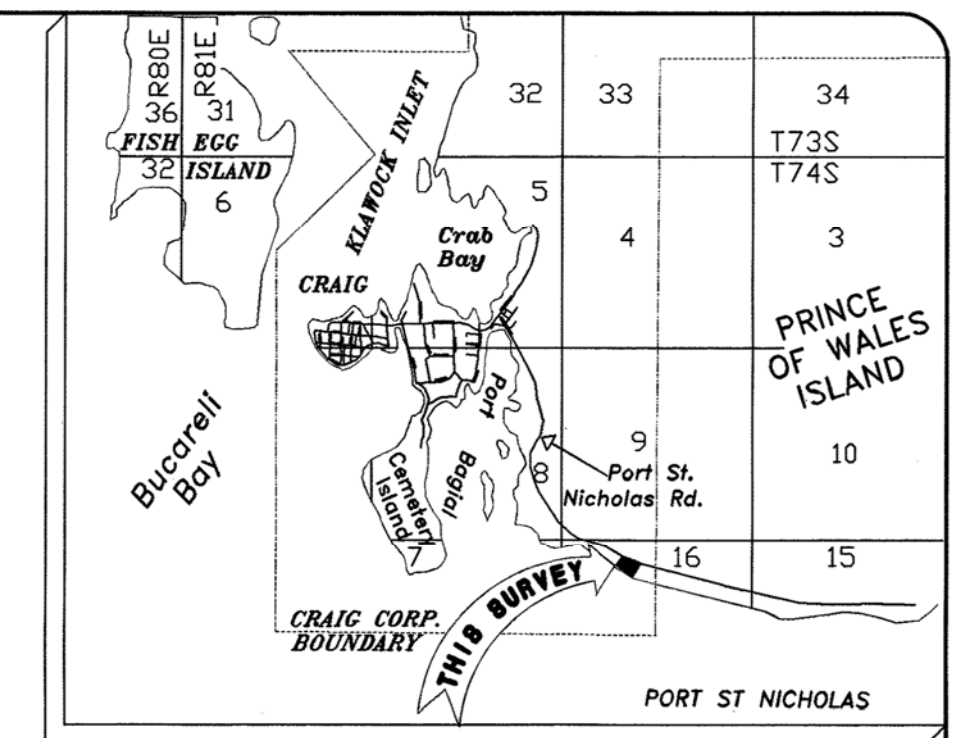
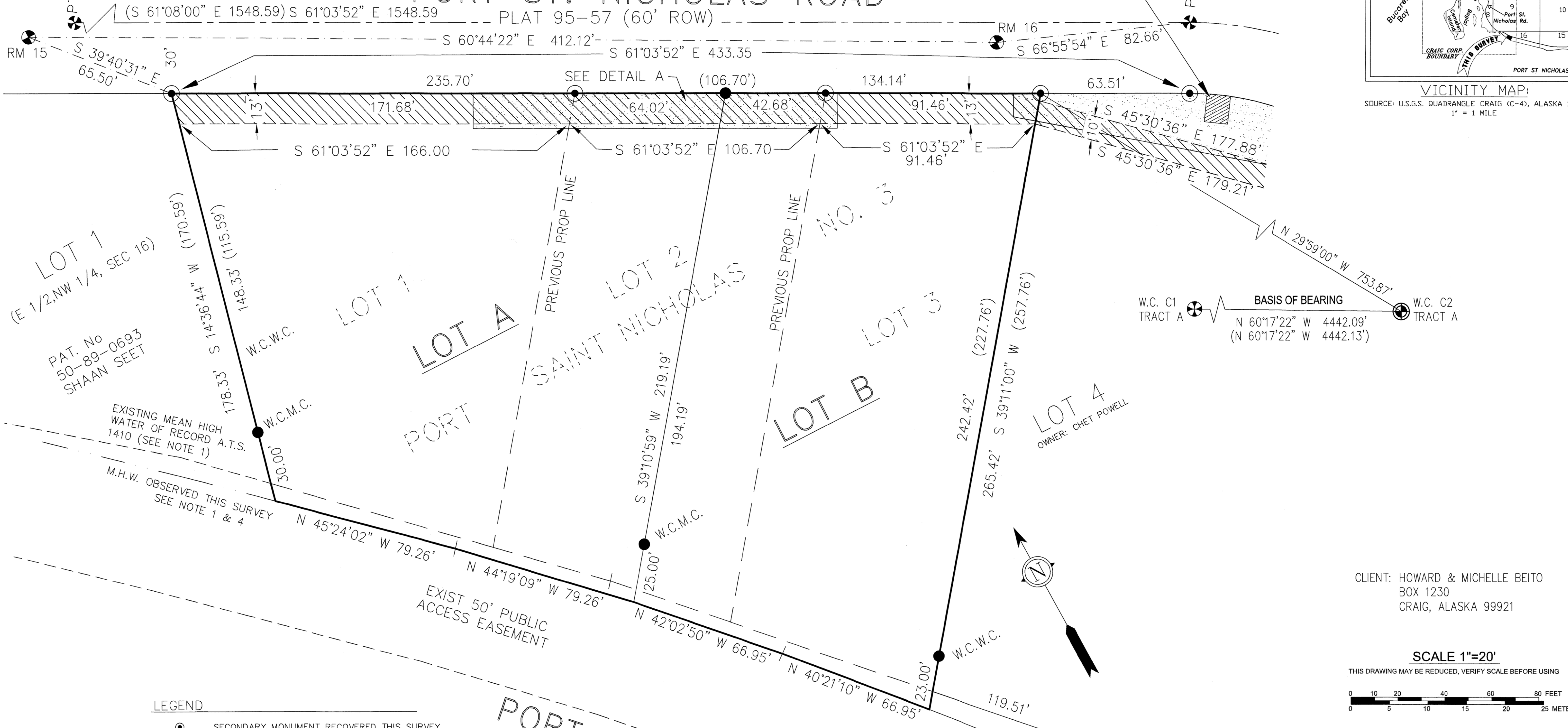


EXIST DRAINAGE EASEMENT

10'x12' HYDRANT EASEMENT
DETAIL B

PORT ST. NICHOLAS ROAD



VICINITY MAP:
SOURCE: U.S.G.S. QUADRANGLE CRAIG (C-4), ALASKA 1985
1" = 1 MILE

LOT 1
(E 1/2, NW 1/4, SEC 16)
PAT. No
50-89-0693
SHAAN SEET

LOT 1
LOT A

LOT 2
SAINT NICHOLAS

LOT B

LOT 4
OWNER: CHET POWELL

W.C. C1 TRACT A
BASIS OF BEARING
N 60°17'22" W 4442.09'
(N 60°17'22" W 4442.13')
W.C. C2 TRACT A

EXISTING MEAN HIGH
WATER OF RECORD A.T.S.
1410 (SEE NOTE 1)

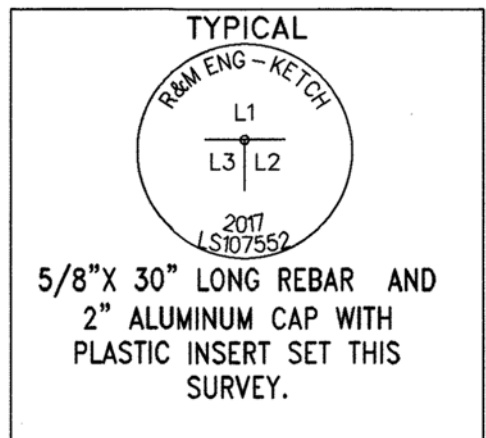
M.H.W. OBSERVED THIS SURVEY
SEE NOTE 1 & 4

EXIST 50' PUBLIC
ACCESS EASEMENT

PORT ST. NICHOLAS
TRACT A
ATS 1410
PLAT 92-20

LEGEND

- SECONDARY MONUMENT RECOVERED THIS SURVEY
- ⊙ PRIMARY ALUM CAP POST MONUMENT RECOVERED THIS SURVEY
- ⊕ PRIMARY BRASS ROCK TABLET GROUTED INTO BEDROCK RESET THIS SURVEY FROM ORIGINAL BEARING TREES
- ⊙ HIGHWAY CENTERLINE ALUMINUM REFERENCE MONUMENT RECOVERED THIS SURVEY
- ⊕ BLM PORT SAINT NICHOLAS CENTERLINE MONUMENT RECOVERED PREVIOUSLY
- 5/8 REBAR 30" LONG WITH 2" ALUM CAP WITH PLASTIC INSERT SET THIS SURVEY
- ▨ EXISTING DRAINAGE EASEMENT—SEE SHEET 2
- ▨ ELECTRICAL EASEMENT CREATED THIS PLAT—SEE SHEET 2
- (88.09) DATA OF RECORD
- 88.09 DATA MEASURED OR COMPUTED
- PREVIOUS PROPERTY LINE



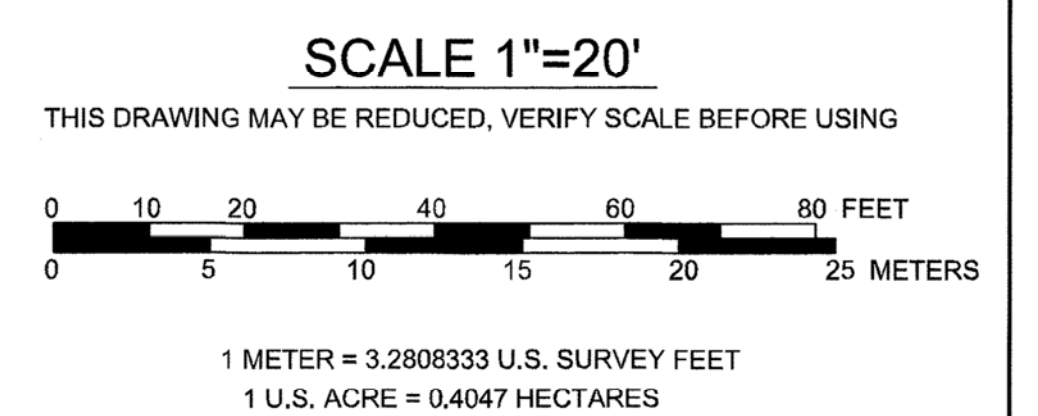
DRAWN BY: MCH
CHECKED BY: CGP
DATE PLATTED: MARCH, 2018
DATE SURVEYED: JANUARY, 2018
SCALE: 1"=20'
SURVEYED BY: MCH / CGP
PROJ NO.: 182704

SURVEYOR'S CERTIFICATE
I HEREBY CERTIFY THAT I AM A REGISTERED SURVEYOR, LICENSED IN THE STATE OF ALASKA, AND THAT IN 2018 A SURVEY OF THE HEREIN DESCRIBED LANDS WAS CONDUCTED UNDER MY DIRECT SUPERVISION AND THAT THIS PLAT IS A TRUE AND ACCURATE REPRESENTATION OF THE FIELD NOTES OF SAID SURVEY, AND THAT ALL DIMENSIONS AND OTHER DETAILS ARE CORRECT ACCORDING TO SAID FIELD NOTES.
DATE: 4/20/2018
CHRISTOPHER G. PIBURN LS 107552

PAGE 1 OF 2



CLIENT: HOWARD & MICHELLE BEITO
BOX 1230
CRAIG, ALASKA 99921



KETCHIKAN RECORDING DISTRICT

Revisions		
No.	Date	Description

R&M ENGINEERING-KETCHIKAN, INC.
355 Carisma Lake Road
Ketchikan, AK 99901
Phone: (907) 225-7917
Fax: (907) 225-3441

CRAIG OFFICE
P.O. BOX 1273
CRAIG, AK 99921
Phone: (907) 826-2294

CERTIFICATE OF AUTHORIZATION #: C576

PROJECT: **BEITO REPLAT**
THE REPLAT OF LOTS 1, 2, & 3, PORT SAINT NICHOLAS NO. 3 (PLAT 2011-6), CREATING LOTS A & B, BEITO REPLAT, WITHIN THE KETCHIKAN RECORDING DISTRICT.

Ketchikan 2018-25

CERTIFICATE OF OWNERSHIP AND DEDICATION

WE HEREBY CERTIFY THAT WE ARE THE OWNERS OF THE PROPERTY SHOWN AND DESCRIBED
HEREON AND THAT WE HEREBY ADOPT THIS PLAN OF SUBDIVISION WITH OUR FREE CONSENT
AND DEDICATE ALL STREETS, ALLEYS, WALKS, PARKS AND OTHER OPEN SPACES TO

CERTIFICATE OF OWNERSHIP AND DEDICATION

WE HEREBY CERTIFY THAT WE ARE THE OWNERS OF THE PROPERTY SHOWN AND DESCRIBED
HEREON AND THAT WE HEREBY ADOPT THIS PLAN OF SUBDIVISION WITH OUR FREE CONSENT
AND DEDICATE ALL STREETS, ALLEYS, WALKS, PARKS AND OTHER OPEN SPACES TO